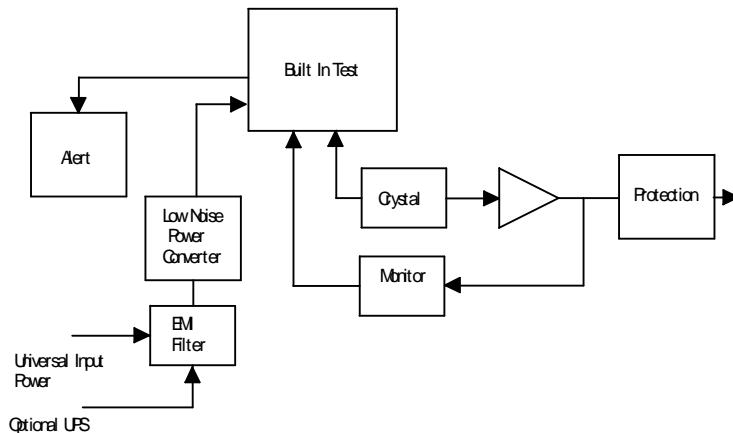


NR2110-T

10MHz Frequency Reference, TCXO, Single Channel



KEY FEATURES



The signal source is from an intrinsically low jitter, voltage controlled crystal oscillator. The crystal oscillator output drives an output that is fault protected and monitored continuously. There is built-in test circuitry throughout the design. Power supplies and signal present are monitored and are used to drive a status relay as well as indicators on the front panel. The power circuitry is a blend of high efficiency conversion followed by low noise linear converters. Extensive filtering/shielding is used to reduce system noise. Component parts are operated well below maximum stress levels (typically 50% or less) to achieve long life. Available with sine or LVDS output.

TCXO

Excellent aging is achieved through the use of intrinsically low jitter overtone SC cut crystals.

Long Life

Component parts are operated well below maximum stress levels (typically 50% or less) to achieve long life.

Typical Phase Noise

Offset (Hz)	dBc/Hz
10	-90
100	-120
1K	-135

Extensive Built-in-Test (BIT)

The BIT comprehensively monitors critical functional elements of the system - power supplies, temperature, signal presence, oven status and channel faults. Any failure causes the alert relay to open. Compatible with Novus NS0100 redundancy switch.



Company Datasheet # NR2110-T

Revision #: E

Date: 9/4/15

Technical Specifications

10MHz output	1 Vrms, 50 Ohm - BNC (sine) or twin BNC for LVDS	
Temp stability	+/-0.5 ppm	
Yearly aging	+/- 1 ppm	
AC input	90 to 264 VAC, 50/60Hz power adapter	
Alert	20VDC/VAC, 0.5 amp relay contacts - relay closed for normal condition	
Calculated MTBF	281,000 hours- MIL-STD-217F	

Environmental and Mechanical

Operating temperature	0 to 50C non-condensing	
Storage temperature	-40 to 70C	
Height	1.73"	
Width	19"	
Depth	10"	
Weight	≈3.0lbs	
AC input	90 to 264 VAC, 50/60Hz	

Options

LVDS		LV
------	--	----

This document is copyright © September 28, 2015 Novus Power Products LLC. All rights reserved. This document is provided for information purposes only; contents are subject to change without notice. It is not warranted to be error-free, nor subject to any other warranties or



Company Datasheet #	NR2110-T
Revision #:	E
Date:	9/4/15

conditions including implied warranties and conditions of merchantability or fitness for a particular purpose.