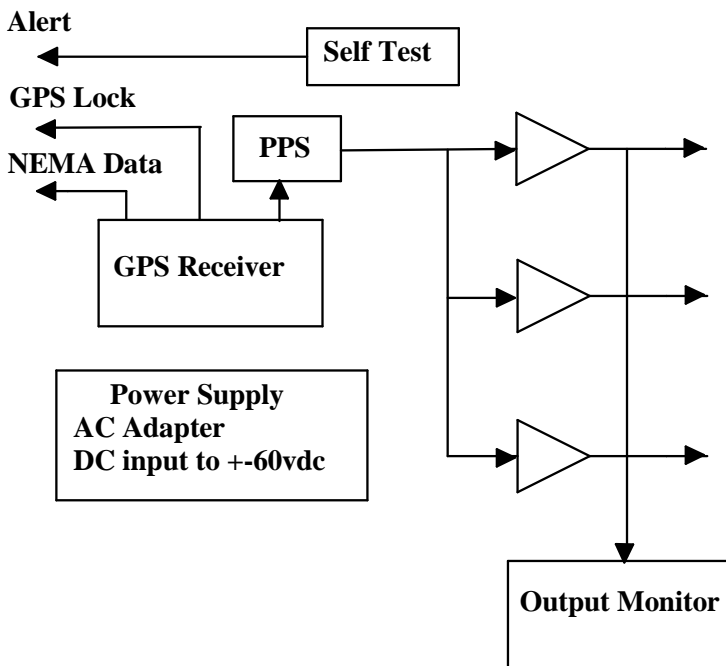


# NR3623-PPS

## Four Output GNSS PPS/NMEA Source

### KEY FEATURES



The signal source is a GNSS 26 channel receiver providing a PPS pulse with an accuracy of 20 ns @ -130 dBm. The unit can be operated from an AC power adapter or -60 to +60 VDC in three separate power ranges. There is extensive built-in test that drives an LED and relay contacts for system integration. There is also a GPS lock status signal (and LED) and a serial port to provide access to NMEA time stamp data. Power converter provides electrical isolation from the power source to the output (configuration option). Available in a kit that includes the NR3623-PPS, antenna, power supply and cable to connect the antenna to the unit.

### Product Highlights



### High Sensitivity GNSS Receiver

The 26 channel high-sensitivity, high-accuracy Multi-GNSS receiver. Supports TRAIM, GPS, GLONASS, QZSS, SBAS, Active Anti-Jamming and Advanced Multipath Mitigation Functions.

### Three Output Protected Outputs

3.3 VDC LVCMOS with programmable cable delay compensation.

Company Datasheet #	NR3623-PPS
Revision #:	C
Date:	9-1-16

### Technical specifications

PPS 3.3 LVCMOS	3 BNC connectors on the front panel plus one output rear panel SMA
Receiver sensitivity	-155dBm
PPS	20ns(1 $\sigma$ ) (@-130 dBm) accuracy, 3.3 volt logic, output impedance CMOS ( $\pm$ 20ma)
Power Requirements	Three ranges $\pm$ (9 to 18, 18 to 36, 36 to 65) Vdc (AC adapter available) Power converter can be configured to provide > 500 volts isolation)
Connectors	Power/Alert mate TE Connectivity- 106527-4 (unit comes with mate)

### Environmental and Mechanical

Operating temperature	0 to 50C non-condensing ( extended temperature range available)
Storage temperature	-40 to 70C
Width	5 " ( exclusive of connectors)
Depth	6.4 "
Height	1.5 "
Weight	~16 oz

This document is copyright © September 7, 2016 Novus Power Products LLC. All rights reserved. This document is provided for information purposes only; contents are subject to change without notice. It is not warranted to be error-free, nor subject to any other warranties or conditions including implied warranties and conditions of merchantability or fitness for a particular purpose.