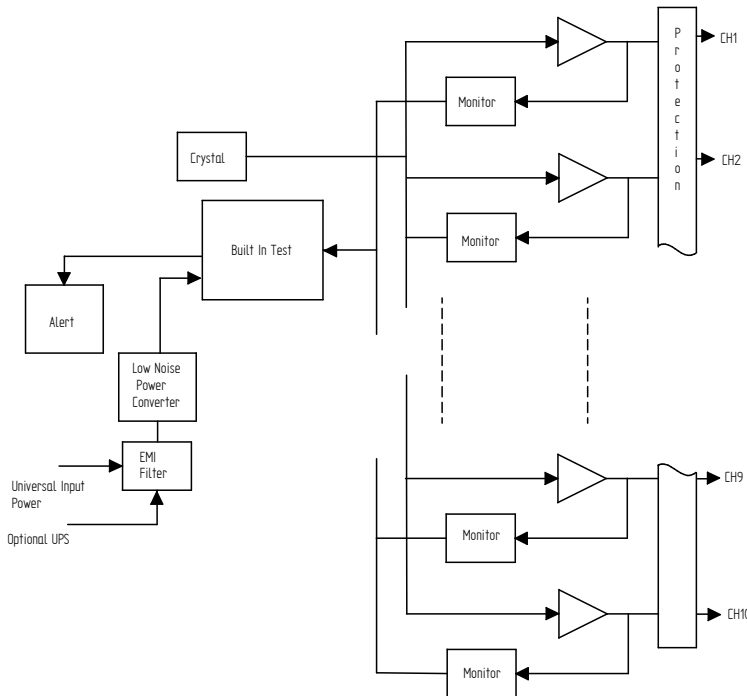


# NR2310-O

## 10MHz Frequency Reference, OCXO, 10 Channel

### KEY FEATURES



The signal source is from an intrinsically low jitter, voltage controlled, temperature stabilized crystal oscillator. The crystal oscillator output drives ten independent output channels that are fault protected and monitored continuously. There is built-in test circuitry throughout the design. All power supplies, over/under temperature, signal present are monitored and are used to drive a status relay as well as indicators on the front panel.

### Product Highlights



#### Crystal

Excellent aging is achieved through the use of Intrinsically low jitter overtone SC cut crystals in a temperature controlled oven.

#### Long Life

Component parts are operated well below maximum stress levels (typically 50% or less) to achieve long life.

#### Built-In-Test

The BIT comprehensively monitors critical functional elements of the system - power supplies, temperature, signal presence, oven status and channel faults.

#### Typical Phase Noise

Offset (Hz)	dBc / Hz
10	-120
100	-135
1K	-145
10K	-150
100K	-150



Company Datasheet # NR2310-O

Revision #: G

Date: 12/15/17

### Technical specifications

10MHz sine output	1 Vrms $\pm$ 0.1 50 Ohm - BNC	
Ship Accuracy	$\pm$ 15 ppb	
Temp stability	+ -20 ppm (standard)	
First year aging	+ - 50 ppb (standard)	
AC input	90 to 250 vac, 50/60hz, IEC 320-C14	
Alert	20VDC, 0.5 amp relay contacts - relay closed for normal condition, BNC	

### Environmental and Mechanical

Operating temperature	0 to 50C non-condensing	
Storage temperature	-40 to 70C	
Height	1RU (~1.73")	
Width	19"	
Depth	12"	
Weight	< 5 lbs	
AC input	90 to 264 VAC, 50/60Hz, less than 10 watts	

### Options

UPS ready	Adds circuitry to connect to custom UPS Source	U
PN1	Next level improved phase noise see Page 1	PN1
PN2	Improved phase noise see Page 1	PN2

This document is copyright © December 16, 2017 Novus Power Products LLC. All rights reserved. This document is provided for information purposes only; contents are subject to change without notice. It is not warranted to be error-free, nor subject to any other warranties or conditions including implied warranties and conditions of merchantability or fitness for a particular purpose.