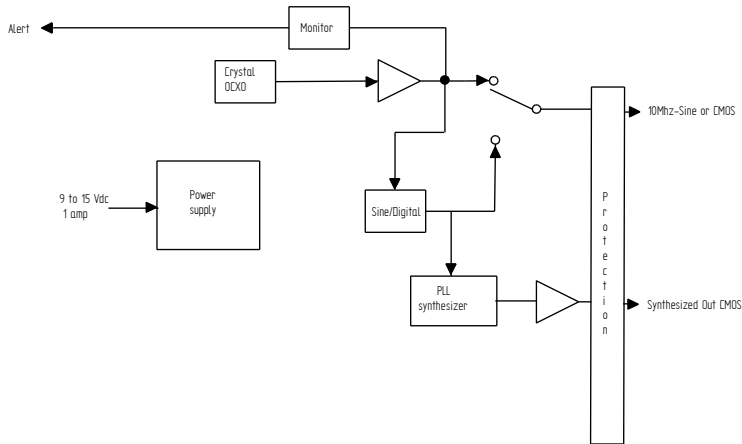


NR3610-O

10MHz Frequency Reference, OCXO, Single Channel

KEY FEATURES



The heart of the unit is a low phase noise SC cut crystal. The OCXO is a SC (stress compensated) crystal placed in an oven that is operated at ~10°C above the maximum specified temperature. The SC cut has more than a five times improvement in thermal stability and a much lower mechanical sensitivity than an AT cut.

There is extensive built in test that drives an LED. To simplify use, there is only a single power supply voltage of 10 to 15 VDC (1.0 amp) required. All other required power voltages are developed internally. Compact case ~1.5" x 4.0" x 5.0".

Product Highlights



Oven Stabilized Crystal

The OCXO provides temperature stability of 10 ppb. First year aging stability of 50ppb

Low Phase Noise

Offset Frequency (Hz)	Typical (dBc / Hz)
10	-104
100	-135
1K	-145
10K	-150

Technical specifications

10MHz sine	1 Vrms, 50 Ohm - BNC- Option CMOS out
Harmonics	Less than -30dB
First year frequency stability	±50 ppb
Temperature stability	±10 ppb
Yearly aging	±50ppb
Power requirements	Standard configuration is 12VDC (9 to 15VDC) Options: ±24VDC (20 to 30VDC), ±48VDC (40 to 60VDC) AC adapter available 100 to 240VAC, 50/60Hz
Connectors	BNC -1 output
	4 pin terminal block ((Digikey 277-2419-ND) Ships with mate (Digikey 277-2418)-ND) Reverse polarity optional.

Environmental and Mechanical

Operating temperature	0 to 50°C non-condensing (extended temperature range available)
Storage temperature	-40 to 70°C
Width	4.0" (exclusive of connectors)
Depth	5.0"
Height	1.5"
Weight	6 oz.

This document is copyright © November 13, 2015 Novus Power Products LLC. All rights reserved. This document is provided for information purposes only; contents are subject to change without notice. It is not warranted to be error-free, nor subject to any other warranties or conditions including implied warranties and conditions of merchantability or fitness for a particular purpose.