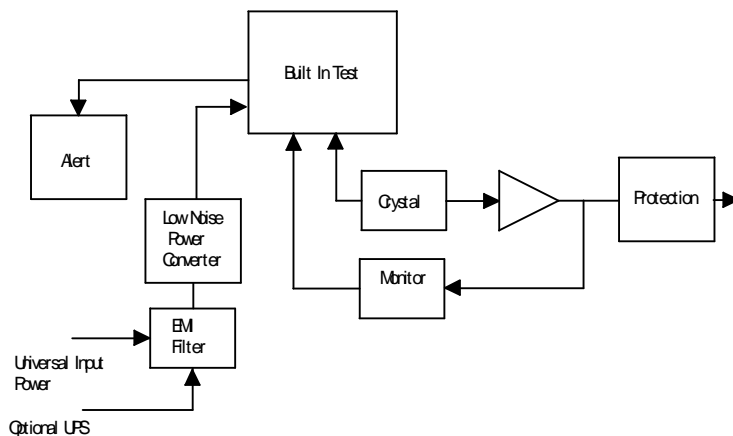


## NR2210-O

### 10MHz Frequency Reference, OCXO, Single Channel, Compact Chassis



#### KEY FEATURES



The signal source is from an intrinsically low jitter, voltage controlled, temperature stabilized crystal oscillator. The crystal oscillator output drives an output that is fault protected and monitored continuously. There is built-in-test circuitry throughout the design. The enclosure is to be used in a bench environment or can be rack mounted. A wall power adapter is used for primary power.

#### Crystal

Excellent aging is achieved through the use of intrinsically low jitter overtone SC cut crystals in a temperature controlled oven. Double oven available.

#### Typical Phase Noise

Offset (Hz)	dBc/Hz
10	-120
100	-128
1K	-140
10K	-145

Other phase options available

#### Extensive Built-in-Test (BIT)

The BIT comprehensively monitors critical functional elements of the system - power supplies, signal presence, oven status and channel fault.



Company Datasheet # NR2210-O

Revision #: G

Date: 8/30/15

### Technical Specifications

10MHz sine output	1±0.1 Vrms, 50 Ohm - BNC (sine)	
Ship frequency accuracy	±20 ppb after 24 hours	
Temp stability	+/-0.01 ppm (standard)	
First year aging	+/- 0.05 ppm (standard)	
AC input	90 to 250 VAC, 50/60Hz (power adapter)	
Alert	20VDC, 0.5 amp relay contacts - relay closed for normal condition, BNC	
Calculated MTBF	245,000 hours – MIL-STD-217F	

### Environmental and Mechanical

Operating temperature	0 to 50C non-condensing, wall adapter power supply rated 0 to 40C	
Storage temperature	-40 to 70C	
Height	1.5"	
Width	5.5"	
Depth	7.0"	
Weight	≈2.0 lbs.	
AC input	90 to 250 VAC, 50/60Hz, less than 10 watts	

### Options

Low phase noise		PN1
Ultra ow phase noise		PN2

This document is copyright © September 28, 2015 Novus Power Products LLC. All rights reserved. This document is provided for information purposes only; contents are subject to change without notice. It is not warranted to be error-free, nor subject to any other warranties or conditions including implied warranties and conditions of merchantability or fitness for a particular purpose.