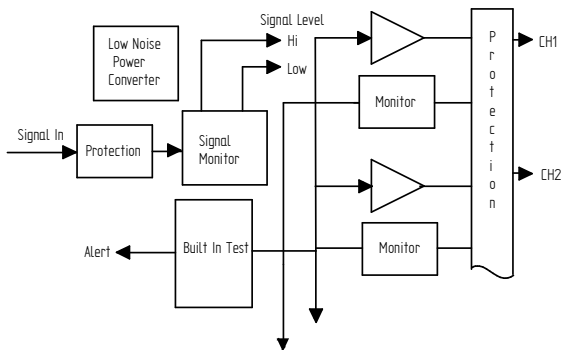


# ND0100-P

## Pulse Distribution Amplifier- Ten Channel



### KEY FEATURES



The ND0100-p is a ten channel distribution amplifier that is designed for the high frequency pulse signals with a rise times as fast as 25 ns and a propagation delay of under 25ns. All channels are fault monitored and status is presented with front panel indicators and via a status relay. There is gain adjustment to compensate for system losses during installation. All outputs are transient protected and can withstand an indefinite fault. The two stage design isolates the channels and prevents a large transient from damaging the source.

### Signal Level Indicators

A Hi and LOW indicator make sure the signal is within the operating range of the amplifier. A great field trouble shooting tool.

### All Inputs and Outputs Protected

All input and outputs and transient and fault protected.

### Skewing

Channel to channel skewing typically under 5 ns

Company Datasheet #	ND0101-p
Revision #:	A
Date:	8-25-2012

### Technical specifications

<b>Frequency</b>	DC– 10 MHz
<b>Output</b>	3.3 volt CMOS
Power Required	110 to 220 Vac 50/60 Hz
<b>Skew</b>	<10ns
<b>Rise/Fall Times</b>	<25ns
<b>Propagation Delay</b>	<25ns
<b>Connectors</b>	Input and outputs are BNC
<b>Status signal</b>	BNC connector connect to the status relay located on rear panel 30 Volts, 100Ma- normally closed.
<b>Indicators</b>	Channel status- flash during a fault condition Alert LED goes from Green to RED in Built- in test fails.
	Low and High range indicators detect signal presence
<b>Adjustment</b>	0.5 volts

### Environmental and Mechanical

Operating temperature	0 to 50C non-condensing
Storage temperature	-40 to 70C
Height	1 RU 19 inch rackmount
Depth	11 inches
<b>Weight</b>	~5 lb

### Options

--	--

This document is copyright © May 9, 2014 Novus Power Products LLC. All rights reserved. This document is provided for information purposes only; contents are subject to change without notice. It is not warranted to be error-free, nor subject to any other warranties or conditions including implied warranties and conditions of merchantability or fitness for a particular purpose.