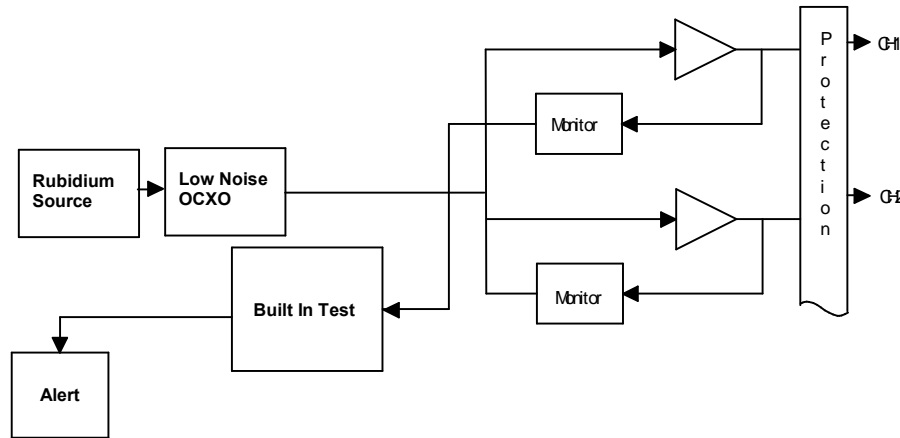


NR2310-R/O

10MHz Frequency Reference, OCXO, Rubidium, 10 Channel



Rubidium Atomic Reference

Aging < 1ppb/year

Typical Phase Noise

Offset (Hz)	dBc/Hz)
10	-130
100	-145
1K	-145
10K	-150

Exceptional holdover stability of less than 0.3 ppb/month. Temperature stability of 0.2ppb. To enhance phase noise, a low noise OCXO is disciplined to the Rubidium source. The result is a source with the stability of Rubidium and the phase noise of a high performance OCXO. The unit has ten outputs, often eliminating the need for a distribution amplifier and reference. All channels are monitored for a fault condition and built-in test monitors critical circuits which drives panel indicators as well as an alarm relay that can be wired into an alarm panel.

Company Datasheet #	NR2310-R/O
Revision #:	B
Date:	8/29/15

Technical Specifications

Output	10 MHz, 0.5 Vrms \pm 0.1, into 50 Ohms, 10 channels
Accuracy at shipment	$< \pm 1E-9$
Monthly aging	$< \pm 3E-11$ after 3 months of operation
Yearly aging	$< \pm 3E-10$ after 3 months operation
Harmonic distortion	< -30 dBc
AC input	90 to 250 VAC, 50/60Hz, IEC 320-C14
Alert	20VDC/VAC, 0.5 amp relay contacts - relay closed for normal condition, BNC
Short-term stability	
1 sec	2E-11
10 sec	8E-12
100 sec	3E-12

Environmental and Mechanical

Operating temperature	0 to 50C non-condensing
Storage temperature	-40 to 70C
Height	1RU (~1.73")
Width	19"
Depth	12"
Weight	\approx 5.5lbs
AC input	90 to 250 VAC, 50/60Hz, less than 10 watts

This document is copyright © September 28, 2015 Novus Power Products LLC. All rights reserved. This document is provided for information purposes only; contents are subject to change without notice. It is not warranted to be error-free, nor subject to any other warranties or conditions including implied warranties and conditions of merchantability or fitness for a particular purpose.